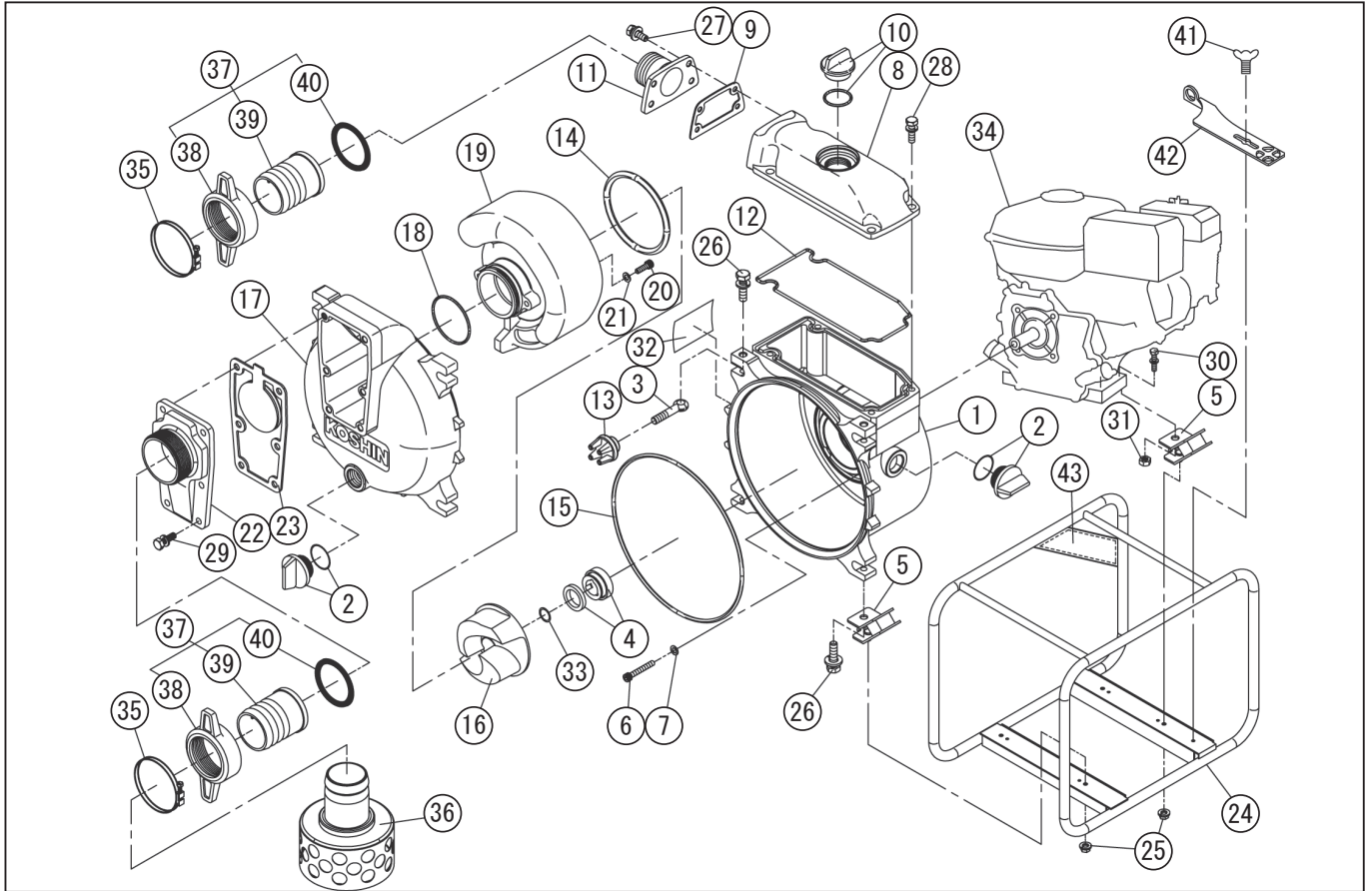


DWG No.012945201 MODELE : KTZ-50X FORM : KTZ-50X-BAA-0

No.	PARTS CODE	PARTS NAME	QTY	MATERIAL/SIZE	REMARKS
1	0115446	PUMP CASING	1	ADC	
2	0118079	25A PLUG SET	2		
3	0115580	COVER BOLT	4		
4	0115159	MECHANICAL SEAL	1		
5	0116172	CUSHION RUBBER	4	CR 60°	
6	0116517	FLANGE SOCKET BOLT	4	M8×60 SCM	
7	0116493	WASHER	4	φ 8 A 1100 PH14	
8	0115445	DELIVERY HOUSING	1	ADC	
9	0115490	FLANGE PACKING	1	CR	
10	0118450	32A PLUG SET	1		
11	0115840	DELIVERY FLANGE (G)	1	ADC	
12	0123207	HEAD PACKING	1	NBR	
13	0115590	KNOB	4		
14	0123217	CASING PACKING	1	NBR	
15	0123208	FRONT COVER PACKING	1	NBR	
16	0115447	IMPELLER	1	HRFC	
17	0121900	FRONT COVER	1	ADC	
18	0115676	O-RING	1	NBR	
19	0121897	VOLUTE CASING	1	FCD450	
20	0121539	SOCKET BOLT	3	M8×35 SUS	
21	0121540	WASHER	3		
22	0115839	SUCTION FLANGE (G)	1	ADC	
23	0115780	CHECK VALVE	1	NBR	
24	0127324	BASE SET	1		
25	842319008	SPRING NUT	4	M8 SWRM	
26	743119083	BOLT	4	M12×45 SWRM	
27	743119046	BOLT	4	M8×22 SWRM	
28	743119063	BOLT	4	M10×30 SWRM	
29	743119061	BOLT	6	M10×25 SWRM	
30	743119051	BOLT	2	M 8 ×35 SWRM	

◆ Bare engine can not be supplied



DWG No.012945201 MODELE : KTZ-50X FORM : KTZ-50X-BAA-0

No.	PARTS CODE	PARTS NAME	QTY	MATERIAL/SIZE	REMARKS
31	838719008	FLANGE NUT	2	M8	
32	0123334	NAME PLATE	1		
33	0110491	IMPELLER ADJUSTING WASHER	3	T0.3 BSP	
34	0123317	ENGINE	1	K180-P0-P	
35	940407060	HOSE BAND	3	2"	
36	0110977	STRAINER	1	SPC	
37	0127344	COUPLING SET	1	ABS	
38	0113390	COUPLING	2	ABS	
39	0110356	HOSE NIPPLE	2	ABS	
40	0123211	COUPLING PACKING	2	NBR	
41	741305153	WING BOLT	1	M8 × 15 SUS	
42	0115778	TOOL	1	SPC	
43	0122307	SIDE PANEL LABEL	1		

◆ Bare engine can not be supplied